



Our EMAT (Emergency Medical Air Technology) units uniquely integrate our patented technology with high-quality HVAC equipment into a single complete package. EMAT units can create either positive pressure “protective isolation” or negative pressure “medical isolation,” utilizing HEPA filtration and UltraViolet germicidal irradiation to capture, contain and neutralize all biological contaminants. In addition, our EMAT systems exceed CDC guidelines for air changes when utilized with an isolation area of the appropriate size. Most importantly, our EMAT units can be used in conjunction with any portable shelter or building to create unmatched capability for medical isolation protection.



EMAT-3T

- Positive Pressure Protective Isolation
- Negative Pressure Medical Isolation
- Continuous pressure monitoring of isolation area
- 68,000 BTU heating capacity
- 36,000 BTU cooling capacity
- All-weather durability
- Adjustable air flow - 1,100 CFM max
- Ozone (optional) for post-event decon



EMAT-5T

- Positive Pressure Protective Isolation
- Negative Pressure Medical Isolation
- Continuous pressure monitoring of isolation area
- 94,000 BTU heating capacity
- Combination Heat Pump/Electric Heat Coils
- 60,000 BTU cooling capacity
- All-weather durability
- Adjustable air flow - 2,400 CFM max
- Ozone (optional) for post-event decon

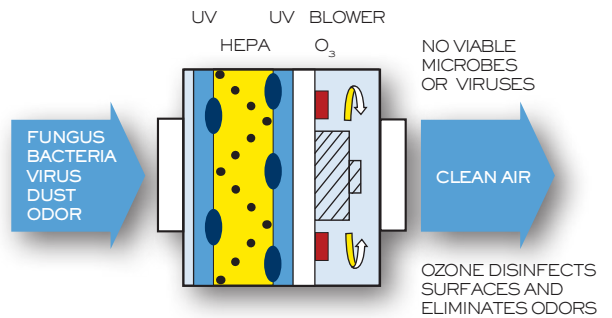


Our EMAT units can create either positive pressure protection or negative pressure medical isolation, utilizing HEPA filtration and UVC irradiation to capture, contain and neutralize all biological contaminants.

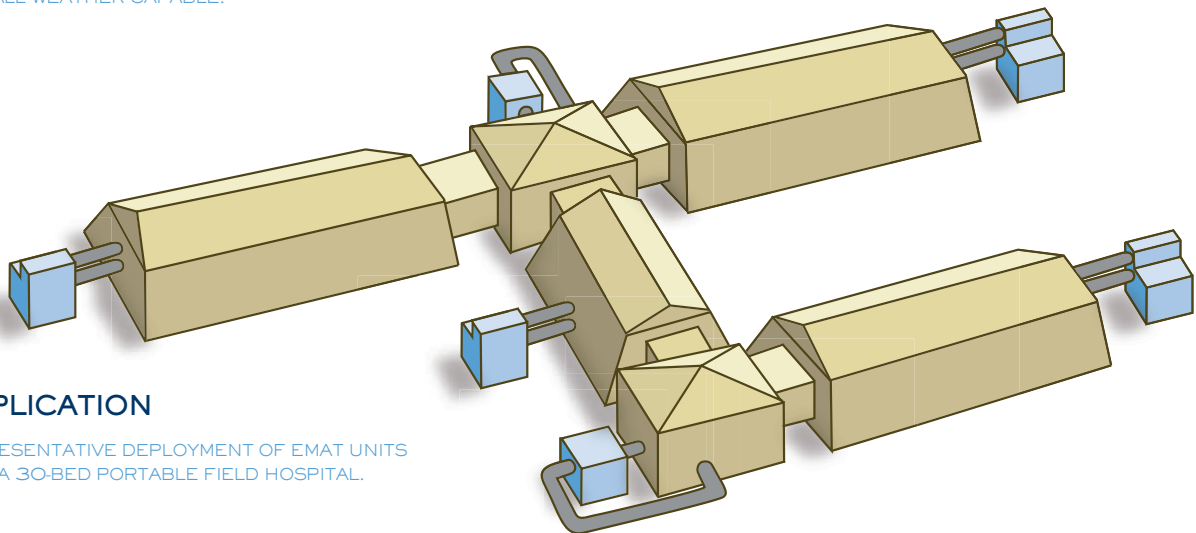


OUR EMAT 3T AND 5T UNITS ARE EXTREMELY DURABLE AND ALL-WEATHER CAPABLE.

TECHNOLOGY



AIR ISO'S PATENTED TECHNOLOGY UTILIZES HIGH FLOW HEPA FILTERS IN COMBINATION WITH ULTRAVIOLET GERMICIDAL IRRADIATION TO ACHIEVE UNMATCHED PERFORMANCE TO "CAPTURE, CONTAIN AND NEUTRALIZE" BIOAEROSOLS AND PARTICULATES OF ALL TYPES AND SIZES.



APPLICATION

REPRESENTATIVE DEPLOYMENT OF EMAT UNITS WITH A 30-BED PORTABLE FIELD HOSPITAL.

CAPABILITIES

| PRODUCT | AIR FLOW | MAX. SHELTER SIZE (CU. FT.) | HEATING (BTU) | COOLING (BTU) | PRESSURE |
|---------|-----------|-----------------------------|---------------|---------------|-------------------|
| EMAT-3T | 1,100 CFM | 5,500 | 68,000 | 36,000 | POSITIVE/NEGATIVE |
| EMAT-5T | 2,400 CFM | 12,000 | 94,000 | 60,000 | POSITIVE/NEGATIVE |