

**MCS**<sup>®</sup>

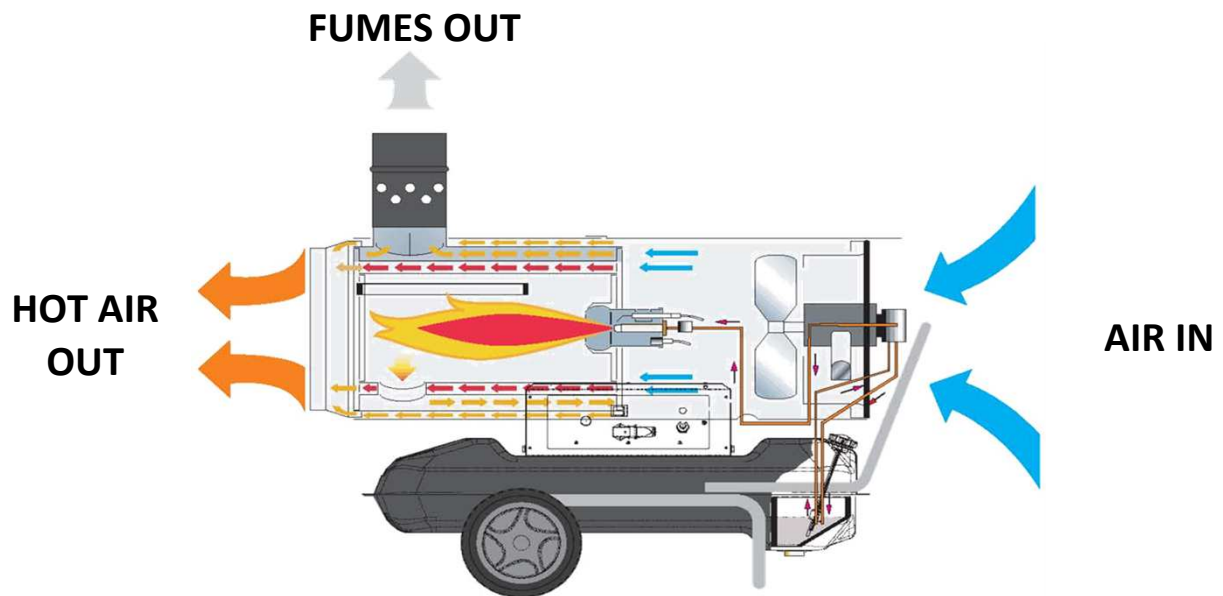
DSH0009

INDIRECT HEATER

**BV 170**



## HEATER FUNCTIONING DIAGRAM



Indirect oil heaters are highly efficient devices that provide large volume of 100% clean, dry and fume free warm air. They are best for places with limited ventilation like shops, event's tents, food preparation areas or exhibition halls. They can be used with flexible hoses that make the warm air be spread around easily.

## SPECIFICATION

|                |                   |               |                  |       |             |
|----------------|-------------------|---------------|------------------|-------|-------------|
| Power          | Btu/h             | <b>160400</b> | Fuel consumption | gal/h | <b>1.23</b> |
| Combustible    | Diesel / Kerosene |               | Tank capacity    | gal   | <b>17</b>   |
| Net weight     | lb                | <b>148</b>    | Autonomy         | h     | <b>13</b>   |
| Gross weight   | lb                | <b>185</b>    | Tension          | V     | <b>120</b>  |
| Ø Fan          | in                | <b>13.5</b>   | Frequency        | Hz    | <b>60</b>   |
| Ø Chimney flue | in                | <b>5.9</b>    | Rated current    | A     | <b>7.5</b>  |
| Performance    | %                 | <b>82</b>     | Electric power   | kW    | <b>0.9</b>  |
| Airflow        | cfm               | <b>1060</b>   | Noise level      | dBa   | <b>77</b>   |
|                |                   |               | Pump pressure    | PSI   | <b>145</b>  |

## PACKAGING

|                      |    |                         |
|----------------------|----|-------------------------|
| Packaging dimensions | in | <b>52.5 x 25.5 x 39</b> |
| Effective dimensions | in | <b>53 x 22.5 x 39</b>   |
| Pieces for pallet    | n° | <b>1</b>                |
| Pieces full truck    | n° | <b>60</b>               |

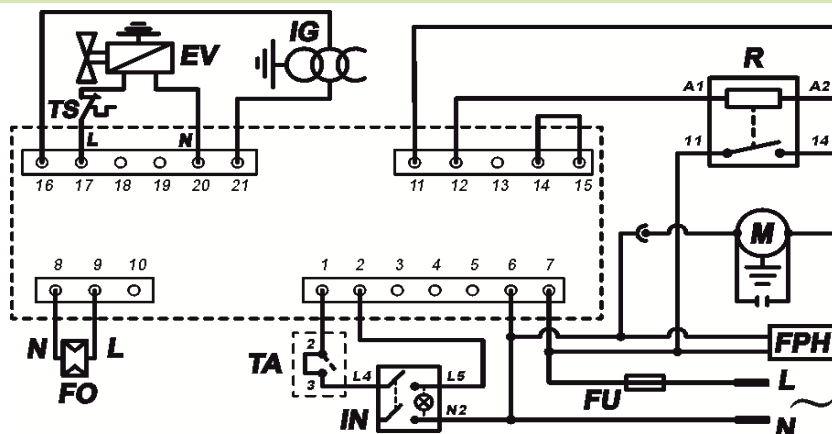
## COMPONENTS

|                     |   |
|---------------------|---|
| Pump                | Danfoss BFP - rotary with element filter  |
| Nozzle              | Danfoss 1,00 GPH 80° S  |
| Flame control       | Electronic board and separately transformer                                       |
| Igniter             | Bifilar electrodes  |
| Fuel filter         | In line da 230 mesh   |
| Overheat thermostat | Series / N.C. until at 194°F  |
| Motor               | Asynchronous, monophas, with thermal protection, Anticlockwise rotation, 2100 rpm |
| Tank                | Steel   |
| Room thermostat     | Predisposition for connecting a room thermostat                                   |

## ACCESSORIES

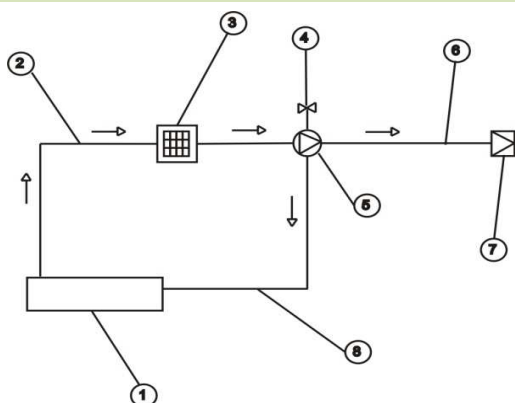
|                    |   |
|--------------------|---|
| Room thermostat    | Thermostat TH5  |
| Hose flexible      | Ø 16 in - Lenght 300 in - first 80 in are made in HT resistant material |
| Adaptor ring kit   | Kit for hose flexible Ø 16 in   |
| Filter pre-heating | Predisposition for connecting the pre-heated filter                     |

## WIRING DIAGRAM



**FO:** Photoresistance  
**TA:** Ambient thermostat  
**IG:** Transformer  
**FPH:** Pre-heating filter  
**M:** Motor  
**R:** Relay  
**IN:** Switch  
**FU:** Fuse  
**EV:** Electric valve  
**TS:** Overheat thermostat.  
**N:** Neutral  
**L:** Line

## FUEL DIAGRAM



- 1 : Tank
- 2 : Fuel pipe intake
- 3 : Fuel filter
- 4 : Electrovalve
- 5 : Pump
- 6 : Fuel pipe supply
- 7 : Nozzle
- 8 : Fuel return pipe